

SenSmart 5000 Series

"The Art of Gas Detection"



Non-metallic Poly "PY" Div 2 model

The state-of-the-art **SenSmart 5000** gas detector is R.C. Systems' newest release to the gas detection industry. No competitive product offers as many features or better performance to cost ratio. With a bright, vivid backlit color display, Modbus and programmable relays, it will satisfy the most demanding application's requirements. The high performance, universal gas detector supports all temperature compensated smart sensor types including Electrochemical, Catalytic Bead, Infrared and Photoionization sensors. It even has Arctic options available for extreme low temperature installations.



Aluminum "AL" XP model

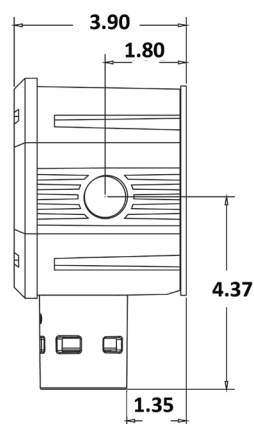
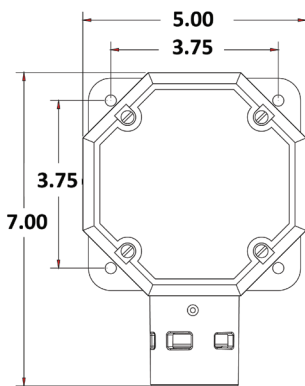
FEATURES HIGHLIGHT:

- CSA Certification for Class 1, Div 1 and Class 1 Div 2 locations
- Color backlit LCD Display
- Display Color Changes with Alarm Status
- Generation 2 Smart Sensor Compatible for increased signal stability
- Sensor Life Indication
- Remote Sensor Mount up to 4000'
- Non-intrusive One-Man Calibration
- Temperature Compensation
- Two RS-485 Ports for Modbus
- 2 Programmable Relays and Fault Relay Available
- Heated elements available for low temperature
- Remote SmartCal feature allows user to initiate calibrations from connected RCS controller via Modbus connection

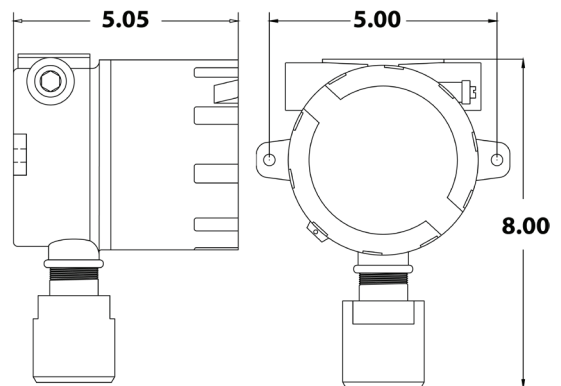
SPECIFICATIONS

Power Supply	10-30VDC at < 6.5 watts with relay board (all relays energized)
Display	128x64 pixel color backlit LCD display
Sensor Input	Electrochemical, Catalytic Bead, Infrared, Photoionization Detector sensor; Modbus 4-20mA
Standard Output	3-wire 4-20mA current source. Max loop Resistance 600 ohms @ 24VDC
Optional Outputs	Two programmable relays plus dedicated FAULT relay Dual master / slave MODBUS RS-485 serial interfaces
Environmental	Operating range -40°C to +60°C Sensors include sensor heater for low temperature operation Relative humidity to 95% for IR; to 85% noncondensing when using electrochemical sensors
Housing	Aluminum with epoxy paint standard; Optional #316 stainless steel, Optional UI94 Poly Black Plastic Enclosure
Dimensions	(Aluminum) Width 5.4" (137 mm), Height 8" (203 mm), Depth 5" (127 mm) Shipping weight 6.5 pounds (3 kg) (Poly) Width 5" (127 mm), Height 7" (178 mm), Depth 4" (101 mm) Shipping weight 3 pounds (2 kg)
Approvals	CSA Certification for: Class I, Div1, Group A, B, C, D, Class I, Zone 1, Group IIC, T4 Class I, Div 2 Groups A, B, C, D, Class I, Zone 2, Group IIC, T4,
Warranty	5 year limited warranty For sensor warranty see sensor specifications sheet.

Poly Housing



Single Sensor Aluminum Housing



ALL DIMENSIONS IN INCHES



8621 Highway 6, Hitchcock, TX 77563
Tel: (409) 986-9800 • Fax: (409) 986-9880
www.rcsystemsco.com

Represented by:
C A Briggs Company

622 Mary Street; Suite 101
Warminster, PA 18974
Phone: 267-673-8117 - Fax: 267-673-8118
Sales@cabriggs.com - www.cabriggs.com